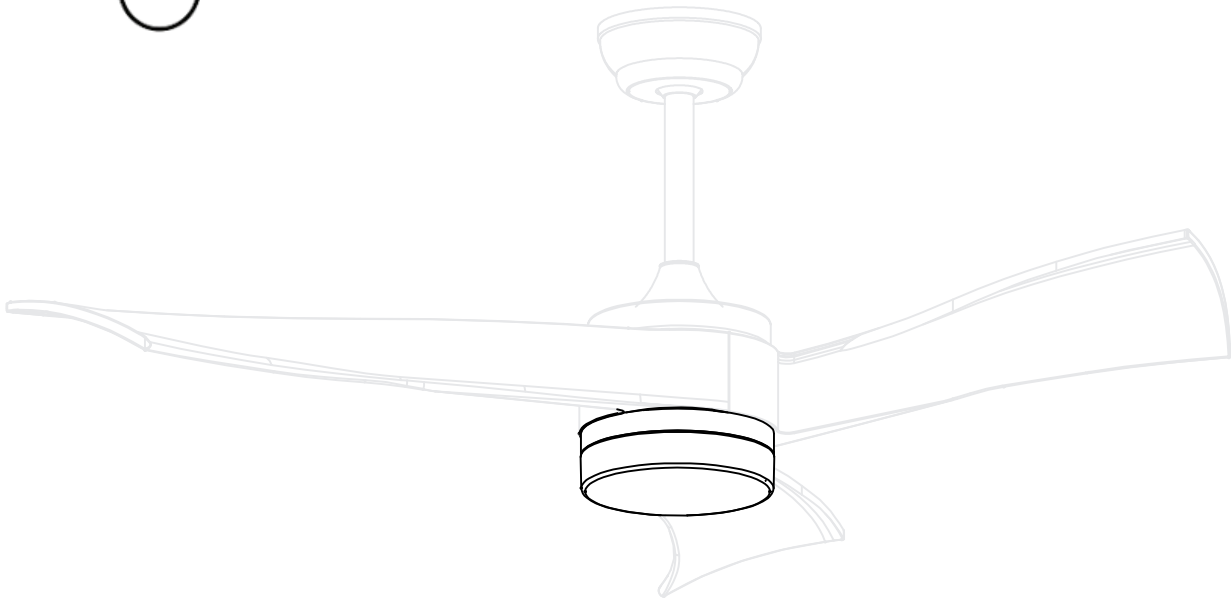


IP44



USE AND CARE GUIDE

18W | 3000K | 1600Lm | CRi 80 | IP 44

LIGHT SOURCE FOR CEILING FUNS

23003 - 23004

CAUTIONS-WARNINGS

- READ THIS ENTIRE MANUAL CAREFULLY BEFORE BEGINNING INSTALLATION. SAVE THESE INSTRUCTIONS.

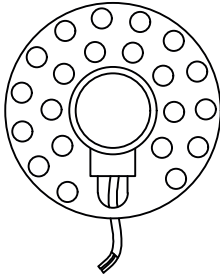
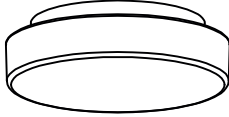
- Use only Ruixuan replacement parts.
- To reduce the risk of personal injury, attach the fan directly to the support structure of the building according to these instructions, and use only the hardware supplied.
- To avoid possible electrical shock, before installing your fan, disconnect the power by turning off the circuit breakers to the outlet box and associated wall switch location. If you cannot lock the circuit breakers in the off position, securely fasten a prominent warning device, such as a tag, to the service panel.
- All wiring must be in accordance with national and local electrical codes and ANSI/NFPA 70. If you are unfamiliar with wiring, use a qualified electrician.
- To reduce the risk of personal injury, do not bend the blade attachment system when installing, balancing, or cleaning the fan. Never insert foreign objects between rotating fan blades.
- To reduce the risk of fire, electrical shock, or motor damage, do not use a solid-state speed control with this fan. Use only speed controls

NOTE: The important safety precautions and instructions appearing in the manual are not meant to cover all possible conditions and situations that may occur. It must be understood that common sense and caution are necessary factors in the installation and operation of this fan.



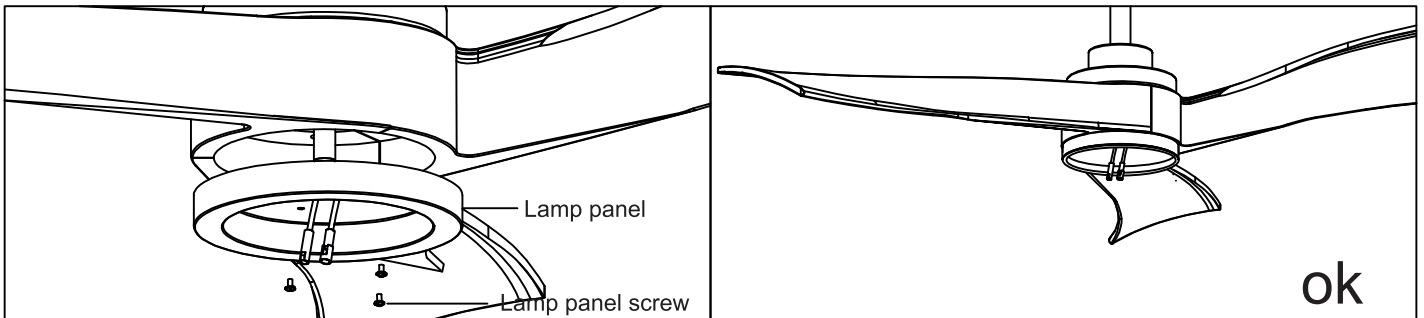
PARTS INVENTORY

Carefully open the packaging. Remove items from Styrofoam inserts. Remove motor housing and place on carpet or Styrofoam to avoid damage to finish. Check against parts inventory that all parts have been included.

	
LED light source	glass shade

18W | 3000K | 1600Lm | CRi 80 | IP 44
LIGHT SOURCE FOR CEILING FUNS
23003 - 23004

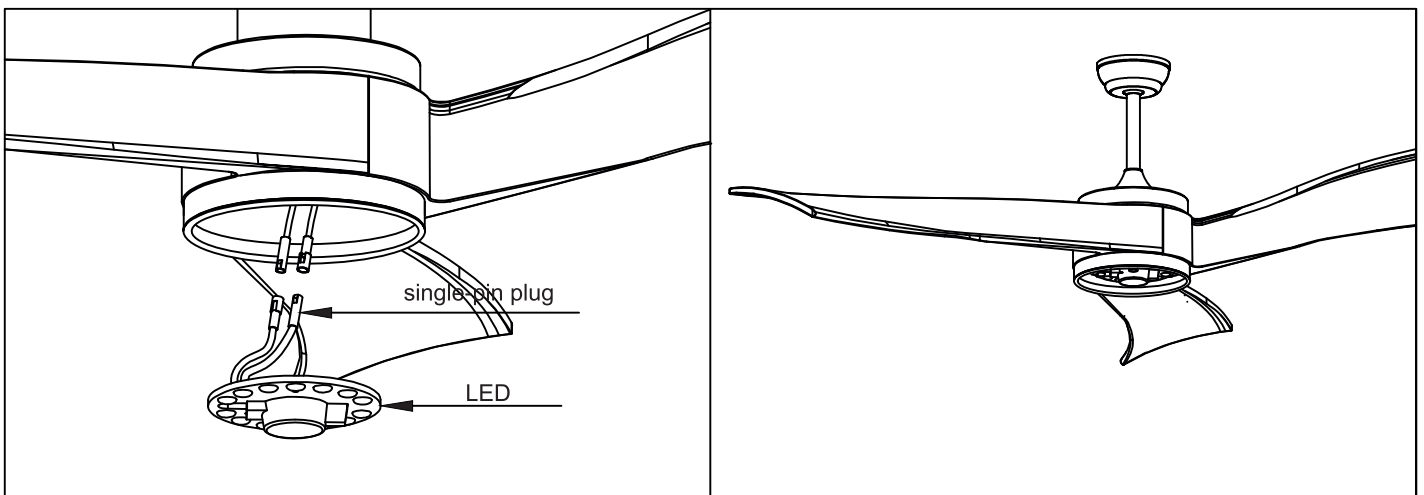
LED PAN ASSEMBLY



Unscrew a set screw. Attach the LED pan up to the bottom of the fan by inserting the other two set screw heads into key hole slots, rotate it to place, then secure the previous set screw by aligning screw hole and the hole at the bottom of the fan, tighten the rest two set screw to secure LED pan.

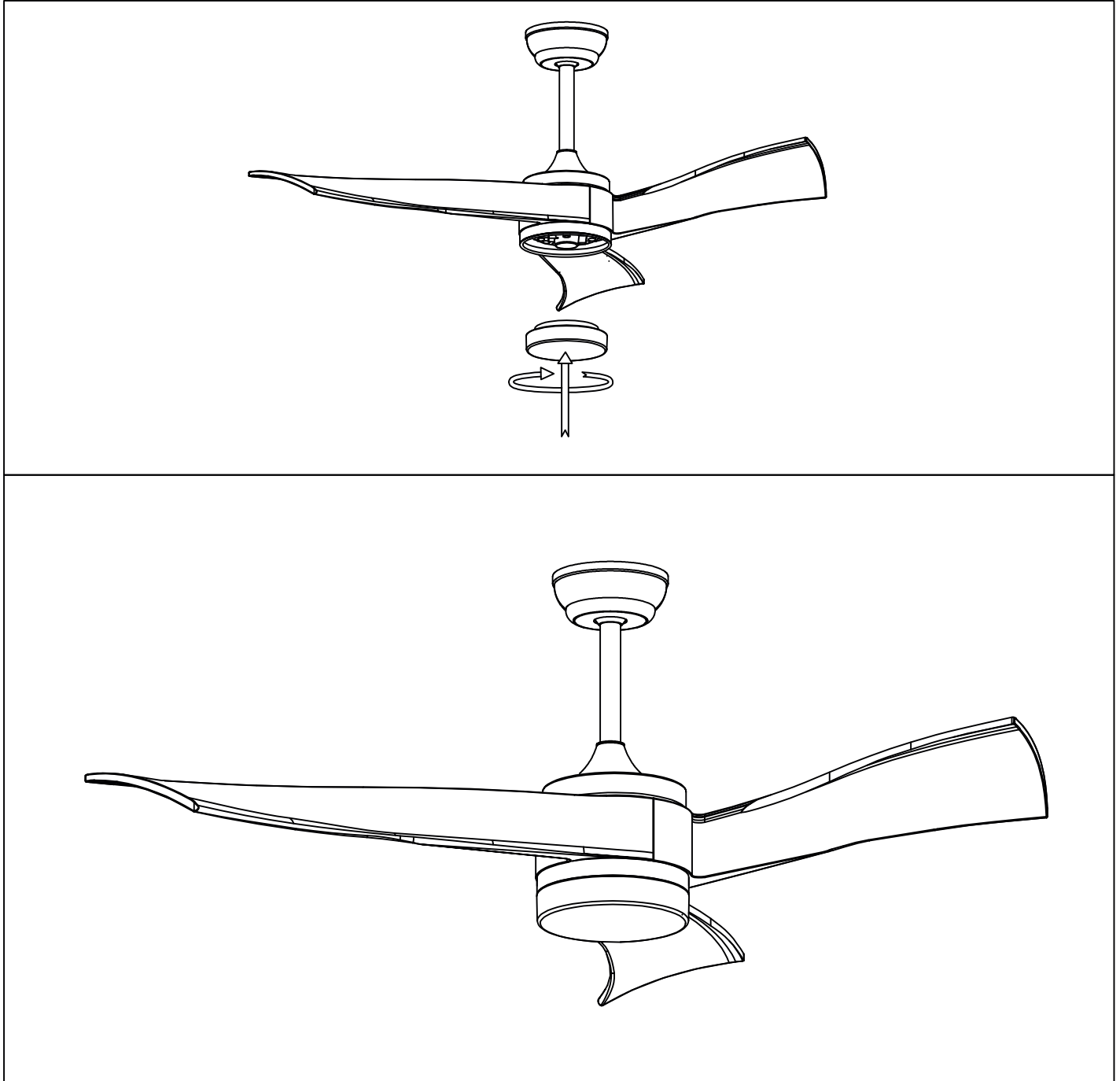
NOTE: While install or remove the LED pan, please keep the insulation pads intact carefully. Turning the set screws over-tightly or fast will damage the insulation pads.

LAMP SHADE ASSEMBLY



Restore the cover and the lamp shade back to the LED pan.

DECORATIVE PAN INVENTORY



Align decorative cover with motor tread, Securing tighten clockwise.